

WARDRAY PREMISE

MR1501P MR Conditional Paediatric Fixed



OPERATORS MANUAL



Introduction

Thank you for purchasing this MR Conditional product. Manufactured and tested to the highest standards it is guaranteed MR Conditional to 7.0T.

Our products are manufactured by Wardray Premise Ltd at our UK based factory to BS EN ISO 13485 and are CE marked.

Manufacturing address:

**Wardray Premise Limited, Northern Regional Office,
Unit 2, Springvale Works, Elland Road,
Brighouse, West Yorkshire, HD6 2RN, UK**



To ensure that you obtain maximum benefit from your product, please take a few minutes to read the enclosed information regarding operation, service and maintenance.

If you have any problems in the meantime or would like any advice about this or any other MR products from the Wardray Premise range, please contact us at the following address:

Wardray Premise Limited
Hampton Court Estate
Summer Road
Thames Ditton
Surrey
KT7 0SP
UK

Tel: +44 (0) 20 8398 9911

Fax: +44 (0) 20 8398 8032

E-mail: sales@wardray-premise.com

Kindly note:

If you modify a Wardray Premise product you will invalidate your warranty.

Unless you have our express written permission to modify a product, we transfer all liabilities for modified products to you.

EU Authorised Representative:

Advena Ltd
Tower Business Centre
2nd Floor, Tower Street
Swatar
BKR 4013
Malta



New Safety Definitions for MRI as Defined by International Standard F2503

MR SAFE:



An item that poses no known hazards resulting from exposure to any MR environment. MR SAFE items are composed of materials that are electrically nonconductive, non-metallic, and nonmagnetic.

MR CONDITIONAL:



MR CONDITIONAL

An item with demonstrated safety in the MR environment within defined conditions. At a minimum, address the conditions of the static magnetic field, the switched gradient magnetic field and the radiofrequency fields. Additional conditions, including specific configurations of the item, may be required.

Supplementary marking – additional information that, in association with marking as “MR CONDITIONAL,” states via additional language the conditions in which an item can be used safely within the MR environment.

MR UNSAFE:



An item which poses unacceptable risks to the patient, medical staff or other persons within the MR environment.

Specification

The MR1501P Paediatric Fixed Height Trolley is designed to be MR Conditional and is manufactured and tested to the highest standards.

The MR1501P is constructed from 3 main materials, these being aluminium, brass and 316 stainless steel.

The top frame, centre sections and base frame are all manufactured from aluminium, which whilst being MR compatible is also lightweight, this aids the easy movement of the trolley.

It is advisable that the product is inspected and serviced every 12 months by a Wardray Premise trained engineer.

A service contract package is available, and details are available upon request from our Service Department on +44 (0) 20 8398 9911.

For international customers please contact your local Wardray Premise representative for assistance.

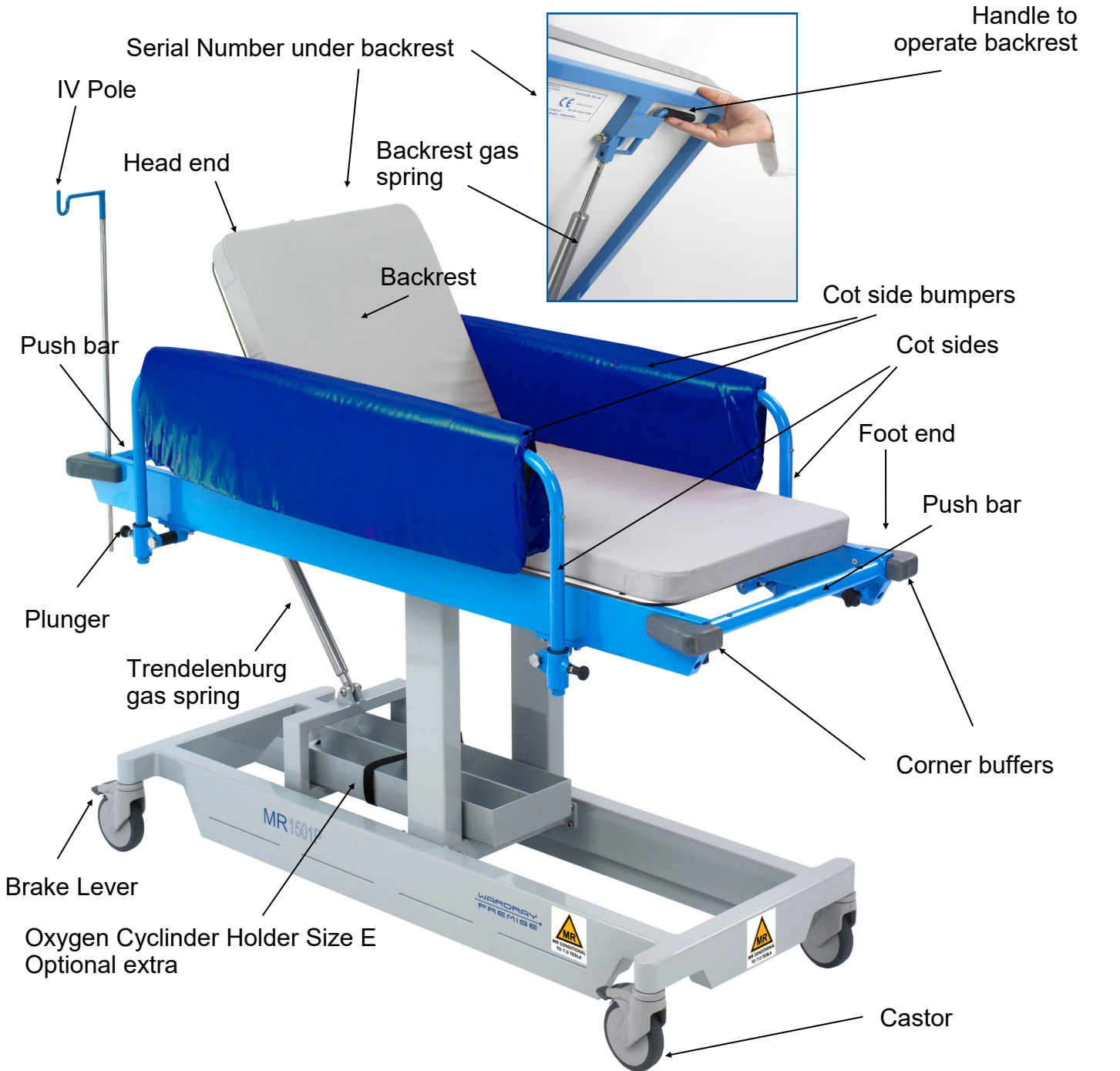
Table top size mm 1455 x 550	Max length mm 1710	Max width mm 680	Low height mm N/A	Top height mm 800	Max load Kg 223
---	-----------------------------------	---------------------------------	----------------------------------	----------------------------------	--------------------------------

Maximum patient weight 35 Stone / 223 Kg

Important Information

This MR Conditional trolley has been designed for Paediatric patients, it is imperative that the cot side bumpers are used to eliminate the potential for limbs or other body parts to protrude through the trolley sides, which may cause injury or harm.

MR1501P Trolley parts reference



Pull Handle for Trendelenburg action



IV Pole (stored on left of head end)



Thumb screw for IV Pole

Operating Instructions

Trendelenburg

The Trendelenburg action can be operated easily by placing your hands on the push bar and pulling the handle up towards you with your fingers as shown (Fig 1). Push the top down to the desired angle (Max of 13 degrees) and release handle (Fig 2).

To bring the top to a horizontal position, pull the handle which will then return the top to the horizontal position.

Please note:- when returning to the horizontal position, the upward movement is assisted.



Fig 1



Fig 2

Backrest

The backrest is operated by squeezing the handle located under the right hand side of the backrest board as shown (Fig 3). The backrest movement is from 0 to 65 degrees, this is controlled by a gas spring.

When moving the backrest into its flat/horizontal position, ensure nothing can become trapped between the framework and the backrest.

IMPORTANT NOTE: When adjusting the backrest position while a patient is on the trolley we strongly advise this is done by two members of staff, one to support the patient and one to adjust the backrest. The cot sides should also be in the up position.



Fig 3

Operating Instructions

Cot Sides

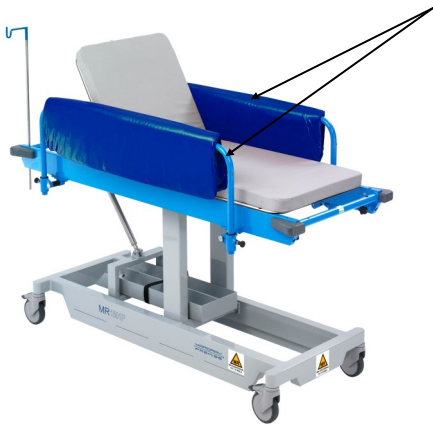


Fig 1 The trolley is fitted with raise and lower cot sides (Fig 1) these protect the patient during transportation to and from the ward.

Be aware of the pinch points when lowering the cot sides. These are indicated on the trolley.

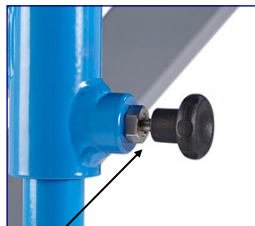
The cot sides should not be used to steer/ push the trolley.

Depending on the design of the trolley, it will be fitted with one or other of the plungers indicated below; Standard Plunger (Fig 2) or Flag Plunger (Fig 4)

Standard Plunger



Standard Plunger Engaged Fig 2



Standard Plunger Disengaged Fig 3

To operate the Standard Plunger:

To lower the cot sides, pull the black plunger to disengage (Fig 3) and lower that cot side end until it stops*.

To raise the cot sides, hold the top rail in the centre and lift until the plunger engages.

To operate Flag Plunger:

To lower the cot sides, disengage the black 'flag' plunger by pulling and turning upwards until it snaps into the notch vertically and pointing upward. (Fig 5) Lower the cot side until it stops*.

Flag Plunger



Flag Plunger Engaged Fig 4



Flag Plunger Disengaged Fig 5

To raise the cot sides, hold the top rail in the centre and lift upwards. Pull and rotate the flag plunger until it snaps into the vertical downward position (Fig 4). Once partially turned the flag will snap into the notch at the bottom to be in the engaged position.

IMPORTANT NOTE: Do not attempt to push the cot sides down while the plunger is still engaged.

*If, after plunger has been released the cot side is not in its lowest position, ensuring plunger is disengaged, gently push down on the centre of the top rail.

Operating Instructions

Castors



Fig 1



Fig 2

The trolley is fitted with four 150mm diameter individually braked castors. To engage the brakes, place your foot on the front part of the brake lever (Fig 1) and push down firmly, the brake will lock in place and stop the castor from moving. To release the brake place your foot on the rear part of the brake lever (Fig 2) and press down firmly, this will release the brake.

The trolley has the option for a Directional Locking Castor denoted by the green locking lever.

- ① Standing at the head end of the trolley, push the trolley forward by approximately 1 metre. This will ensure that the directional locking castor is the 'trailing' position under the trolley (Fig 3).
- ② Engage the directional lock by pushing down firmly on the green lever (Fig 4).
- ③ To release the directional lock place your foot on the green lever, on the raised part, and press firmly to release (Fig 5).

Push forward from
head end



①



Fig 3

②

Locked for Directional use

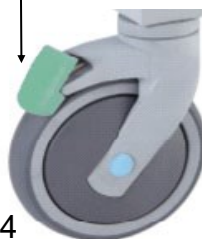


Fig 4

③

Unlocked



Fig 5

Operating Instructions

IV Pole

The trolley is fitted with 4 locations for the IV pole, 1 located at each corner of the trolley. A thumb screw allows the pole, both to be locked vertically for use, and horizontally for storage as shown (Fig 1 and Fig 2).



Fig 1



Fig 2

The IV Pole is manufactured from 316 stainless steel, and is stamped with the serial No. of the trolley.

IMPORTANT NOTE: As a safety precaution, please check the serial No. of the IV Pole matches the trolley's serial No. before using.

Oxygen Cylinder Holder

An Oxygen Cylinder holder is also optional, suitable for a size E cylinder, fitted in the centre of the wheel base. A double oxygen cylinder holder is also available as shown. (Fig 3)

The oxygen cylinder holders must not be used to transport anything other than E sized oxygen cylinders



Fig 3

WARNING: THE OPERATOR MUST ENSURE THE OXYGEN CYLINDER IS SAFE TO BE USED IN AN MR ENVIRONMENT BEFORE PLACING IT IN THE HOLDER

Do's and Dont's

Do ensure the following are observed:

- The trolley should only be used by properly trained staff at all times.
- The trolley must be operated by 2 people when transporting a patient.
- When a patient is on board, the cot sides must be in an upright locked position before moving the trolley or adjusting the trolley height.
- The trolley must only be used for the purpose for which it was designed.

Don't:

- lift the trolley upwards by the top.
- push the trolley over rough or uneven ground.
- drop heavy or sharp objects onto the solid plastic table top.
- push the trolley by the cot sides, these are for patient safety only.
- place a weight of over the equivalent of 35 Stone (223Kg/490lbs) onto the trolley.
- spill oil or other liquids/chemicals on the mattress.
- attempt to rectify any faults on the trolley without contacting Wardray Premise Ltd.
- use the trolley without a mattress.
- allow staff or patients to fix or store any items on the trolley unless you have verified the MR safety of the items.

The trolley should be serviced regularly, but only by Wardray Premise trained engineers, as they will carry the correct spares to guarantee safety and compatibility of the trolley. Failure to comply with this will invalidate your warranty and could compromise its MR compatibility and therefore safety.

Any serious incidents that occur in relation to this device should be reported to Wardray Premise LTD and the competent authority of the member state in which the user and/or patient are established.

General Maintenance

It is strongly recommended that the following checks are carried out on a weekly basis by trained personnel, to ensure trouble free operation of the trolley.

- Check the solid plastic table top for cracks or other obvious signs of damage or contamination. Report any damage found.
- Check mattress for any sign of damage or contamination. Report damage or clean where necessary with mild soap and water.
- Check castors for free movement and the braking mechanism for functionality, check and remove any debris that may have been caught between the forks and around the axles, This is a common occurrence and can lead to a shortened life expectancy of the castor if left unattended.
- Check the backrest function.
- Check the cot sides for functionality and damage, especially the cot side brackets and plungers, as these take the brunt of any impacts from the side. Ensure that the plungers work freely and locate into the holes.
- Ensure that the IV Pole fitted is correct and the serial no. corresponds with the trolley serial no. located on the inside of the backrest board (see page 5 for location). Make sure there are no sharp burrs from misuse.

Please register your product with us, via the Warranty Registration Form (see page 13), for ease of contact in case of urgent upgrades or recalls.

If the unit is damaged please do not attempt to repair as this could invalidate your warranty and could compromise its MR integrity and therefore safety, please call or email Wardray Premise Limited:

T: +44 (0) 20 8398 9911
F: +44 (0) 20 8398 8032
E-MAIL: sales@wardray-premise.com

Please include the product code and the product's serial number when contacting Wardray Premise.



Cleaning

This product should be washed with a disposable cloth wrung out in a solution of warm water and detergent. The product should be rinsed with warm water and dried thoroughly with paper towels.

If required the product can be washed down with hand hot sodium hypochlorite solution up to 1% or 10000 parts per million chlorine combined with a detergent. Alternatively, follow your local guidelines or instructions.

If any of the above give cause for concern, please contact your Wardray Premise service provider.

EU Declarations of Conformity and Magnetic Testing

Documentation is available upon request.



Wardray Premise Limited
Hampton Court Estate
Summer Road Thames Ditton
Surrey KT7 0SP
UK

Tel: +44 (0)20 8398 9911

Fax: +44 (0)20 8398 8032

e-mail: sales@wardray-premise.com

Website: www.wardray-premise.com

WARRANTY REGISTRATION FORM

To receive full warranty cover on your equipment, please complete and return this form at your earliest convenience

Reply e-mail: sales@wardray-premise.com

Reply Fax: +44 (0)20 8398 8032

Name:	
Job Title:	
Company:	
Address:	
Telephone:	
Fax:	
Email:	
Product Code/ Description:	
Product Serial/ Reference No:	
Please enter date Product received:	

If your department currently has any other Wardray Premise Ltd. equipment, which is not already covered under a service contract, please contact Servicing-Admin@wardray-premise.com to discuss an all-inclusive package.

If you would like any further information or would like to be contacted regarding any of our products, please add your enquiry to the box below.