

Manoeuvring

When this product is fully loaded up to a maximum of 165Kg, manual handling must be considered. Please refer to your health & safety procedures / department for good practice procedures to be followed.

Maintenance

It is advisable that each product is regularly inspected. Use soap and water to clean each unit.

Do's and Don'ts

Do ensure that the following are observed

- This product must only be used for the purpose for which it was designed.
- Only one apron or garment comprising of a top & kilt should be stored on each hanger.
- Keep clean at all times and should be wiped over regularly with a sterile wipe.

Don't

- Place a weight of over the equivalent of 15Kg on each hanger .
- Let one person move this apron storage system on their own when fully laden.

WARDRAY PREMISE LIMITED,
HAMPTON COURT ESTATE
SUMMER ROAD, THAMES DITTON
SURREY, KT7 0SP, ENGLAND

TEL: +44 (0) 20 8398 9911

FAX: +44 (0) 20 8398 8032

E-MAIL: sales@wardray-premise.com

WEBSITE: www.wardray-premise.com

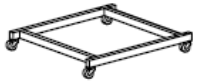
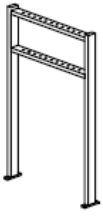




WARDRAY PREMISE

Apron Storage System ASR20 11 Hangers



USER

CONTENTS

A  x 1	B  x 1	C  x 6/11	D  x 6/11	E  x 2
F  x 8				

WARDRAY PREMISE

Wardray Premise Limited
Hampton Court Estate
Thames Ditton
Surrey KT7 0SP

Tel +44 (0) 208 398 9911 Fax +44 (0) 208 398 8032
sales@wardray-premise.com www.wardray-premise.com

